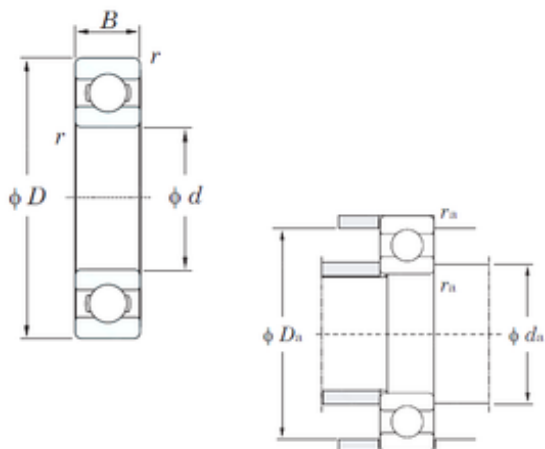




NTN BEARING CORP.OF AMERICA



Industry Machine Motor Auto Spare Part SKF
NSK Timken Koyo Motorcycles Bearing 60/28
63/28 Deep Groove Ball Bearing

Bearing No. 60/28

Size	28x52x12 mm
Bore Diameter	28 mm
Outer Diameter	52 mm
Width	12 mm
d	28 mm
D	52 mm
B	12 mm
C	12 mm
r min.	0,6 mm
da min.	32 mm
Da max.	48 mm
ra max.	0,6 mm
Weight	0,097 Kg
Basic dynamic load rating (C)	12,4 kN
Basic static load rating (C0)	7,4 kN
(Grease) Lubrication Speed	14000 r/min
(Oil) Lubrication Speed	16000 r/min
Bearing No.	60/28
r(min)	0.6
Cr	15.6
C0r	7.40
Cu	0.480
f0	14.5
Grease lub.	14000

60/28 Bearing 2D drawings and 3D CAD models



NTN BEARING CORP.OF AMERICA

Oil lub.	16000
da(min)	32
Da(max)	48
ra(max)	0.6
(Refer.)Mass(kg)	0.097